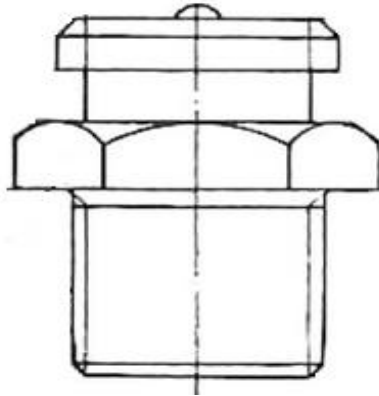


Material: Free cutting steel (EN 1A1 / 11SMnPb30 / SAE 12L13), S.S. 303, S.S. 316



<u>PART NO.</u>	<u>DESCRIPTION</u>	<u>PART NO.</u>	<u>DESCRIPTION</u>
	<u>Head diameter 16MM</u>		<u>Head diameter 22MM</u>
CGN-61B	M6x1	CGN-1615B2	M16x1.5
CGN-81B	M8x1	CGN-14BPB2	1/4 BSP
CGN-8125B	M8x1.25	CGN-38BPB2	3/8 BSP
CGN-101B	M10x1		
CGN-1015B	M10x1.5		<u>Head diameter 10MM</u>
CGN-1215B	M12x1.5	CGN-61B1	M6x1
CGN-12175B	M12x1.75	CGN-81B1	M8x1
CGN-1415B	M14x1.5	CGN-101B1	M10x1
CGN-1615B	M16x1.5	CGN-18BPB1	1/8 BSP
CGN-18BPB	1/8 BSP	CGN-14BPH	1/4 BSP
CGN-14BPB	1/4 BSP	CGN-38BPH	3/8 BSP
CGN-38BPB	3/8 BSP		
CGN-14NTB	1/4 NPT		